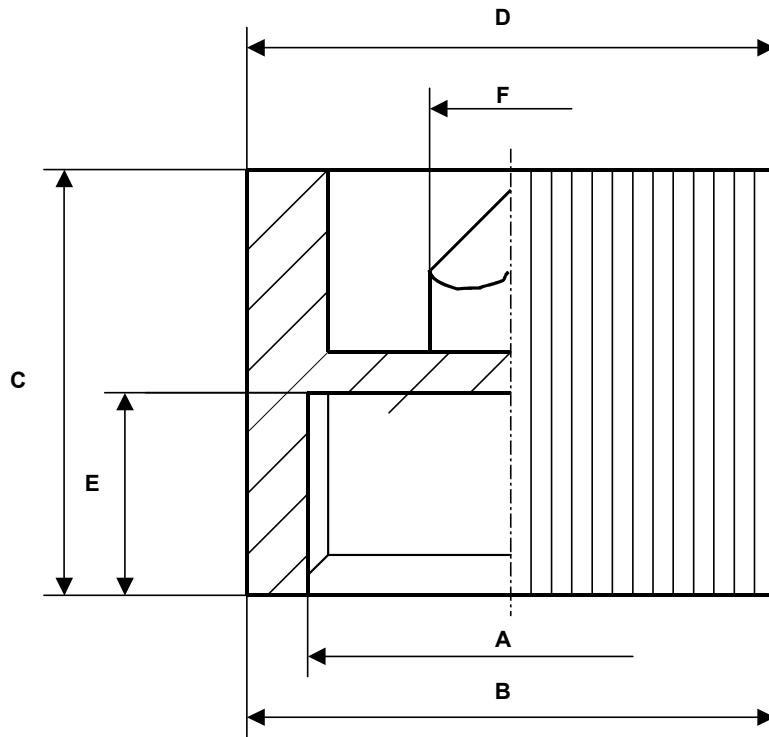


Artikel Nr. Art. No	Material	Gewinde Thread A	B	C	D	E	F	G	Riffelung Fluting
S406	HD-PE	M9x1,25	13.0	15.0	10.0	6.5	6.0	2.5	40/90°
S407	HD-PE	M11x1,5	15.5	18.3	10.8	6.9	7.3	2.5	60/90°
S431	HD-PE	M13,5	15.5	17	11.5	8.5	7.3	2.5	45/90°
S433	HD-PE	M13x1,25	17	20	15.8	12.5	11.4	1.8	75/90°
S583	HD-PE	M9	14.3	15.8	11.2	6.0	5.7	3.5	42/90°
S719/647	HD-PE	M15x1,5	19.0	16.0	17.6	8.5	10.5	1.5	40/120°



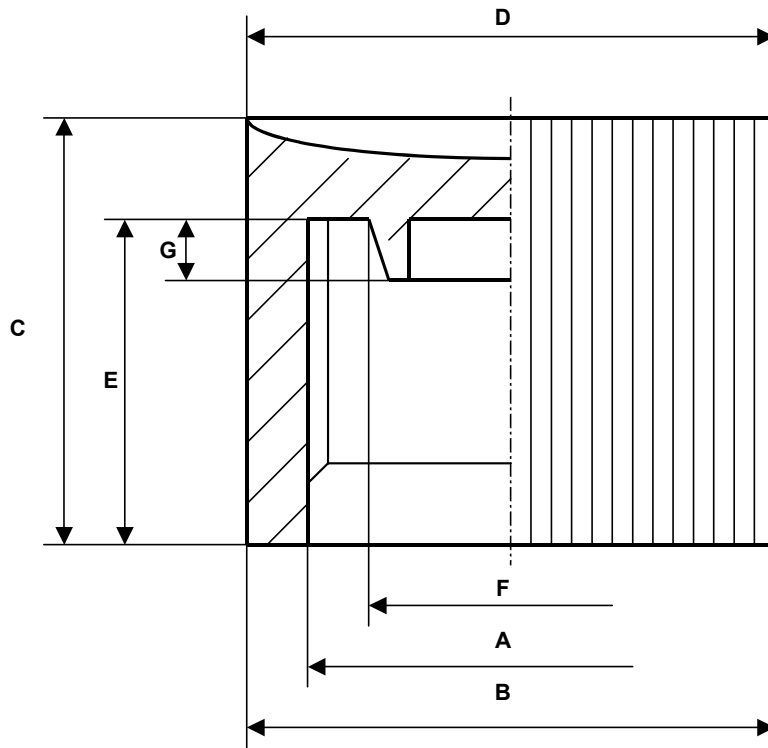




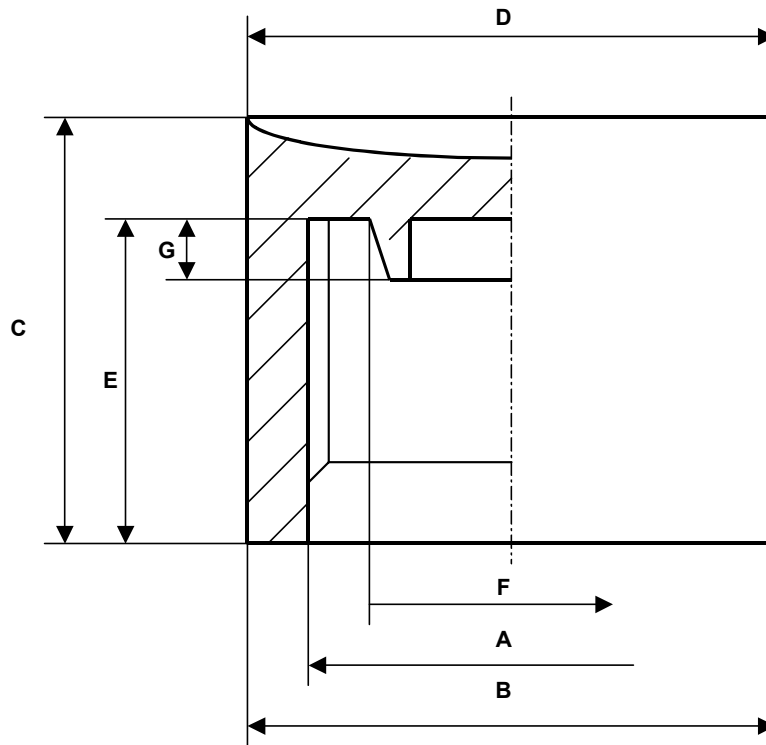


Artikel Nr. Art. No	Material	Gewinde Thread A	B	C	D	E	F		Riffelung Fluting
S698	PP	M7x1	13.5	13.0		6.9	3.0		48/90°
S699	PP	M7x1	16.0	14.0		7.6	3.0		60/90°
S724	PP	M9x1,25	19.0	15.5		7.9	4.0		68/90°
S710	PP	M9x1,25	22.0	17.3		8.8	4.0		78/90°
S795	PP	M11x1,5	31.5	19.8		11.5	5.3		113/90°





Artikel Nr. Art. No	Material	Gewinde Thread								Riffelung Fluting
		A	B	C	D	E	F	G		
S487	HD-PE	9.0	12.7	10.2	12.0	7.0	5.0	2.6		60/90°
S729/487	HD-PE	9.1	12.1	10.0	11.6	7.7	6.0	2.5		60/90°
S609/487	HD-PE	9.0	12.7	10.2	12.0	8.2	6.1	2.5		60/90°
S598/487	HD-PE	7.1	12.7	10.2	12.0	7.0	3.8	2.0		60/90°
S525/487	HD-PE	9.0	12.6	10.2	12.0	7.2	5.0	2.2		60/90°



Artikel Nr. Art. No	Material	Gewinde Thread						
		A	B	C	D	E	F	G
S325	HD-PE	M9	12.7	10.1	12.1	7.0	5.0	2.6
S487/325	HD-PE	M9	12.1	10.0	11.6	7.0	5.0	2.6
S598/325	HD-PE	M7x1	12.3	7.6	12.0	6.2	3.6	2.0
S729/325	HD-PE	M9	12.1	10.0	11.6	7.7	6.0	2.5

